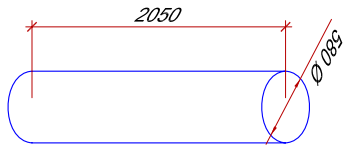
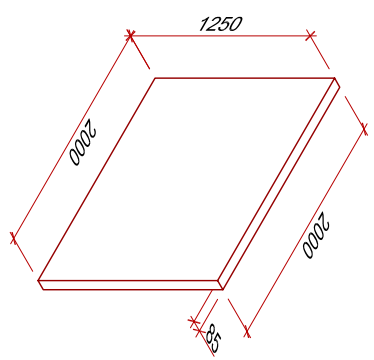


PLAN



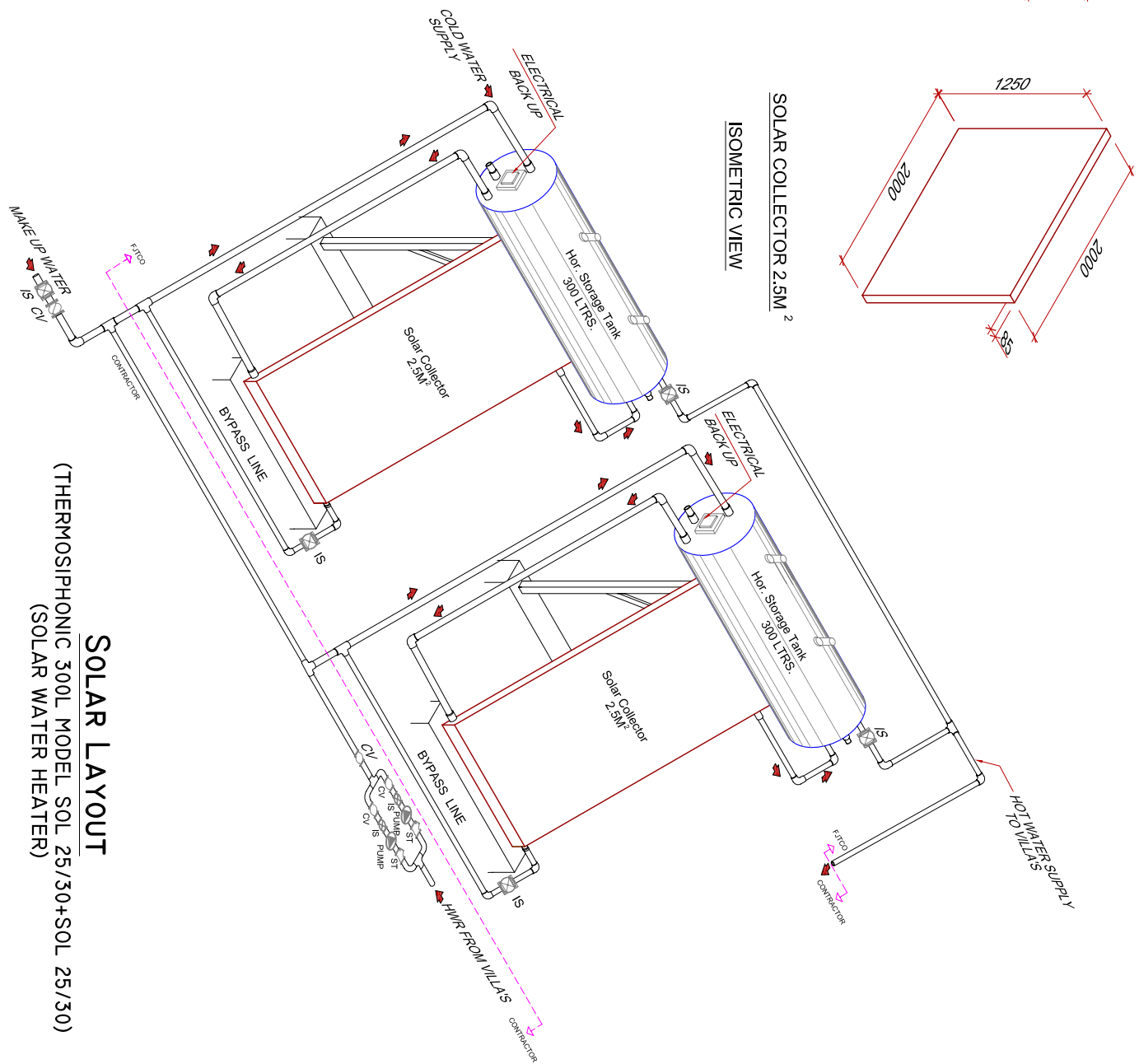
STORAGE TANK 300L

ISOMETRIC VIEW



SOLAR COLLECTOR 2.5M²

ISOMETRIC VIEW



SOLAR LAYOUT

(THERMOSIPHONIC 300L MODEL SOL 25/30+SOL 25/30)
(SOLAR WATER HEATER)

PROJECT TITLE: 10 BEDROOM VILLA SOLAR LAYOUT	
CONSULTANT: ---	---
MEP CONTRACTORS: ---	---
CHECKED BY: KM	APPROVED BY: ---
DRAWN DATE: 14-SEPT-11	SHEET NO: 04
SCALE: 1:50	
REVISION DATE	DRAWING TITLE
COMPANY NAME: FASAL ASSMITHRADING CO.	DRAWN BY